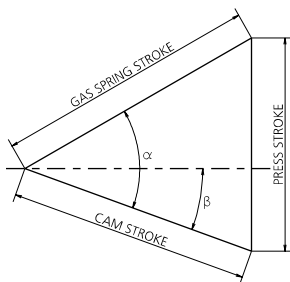
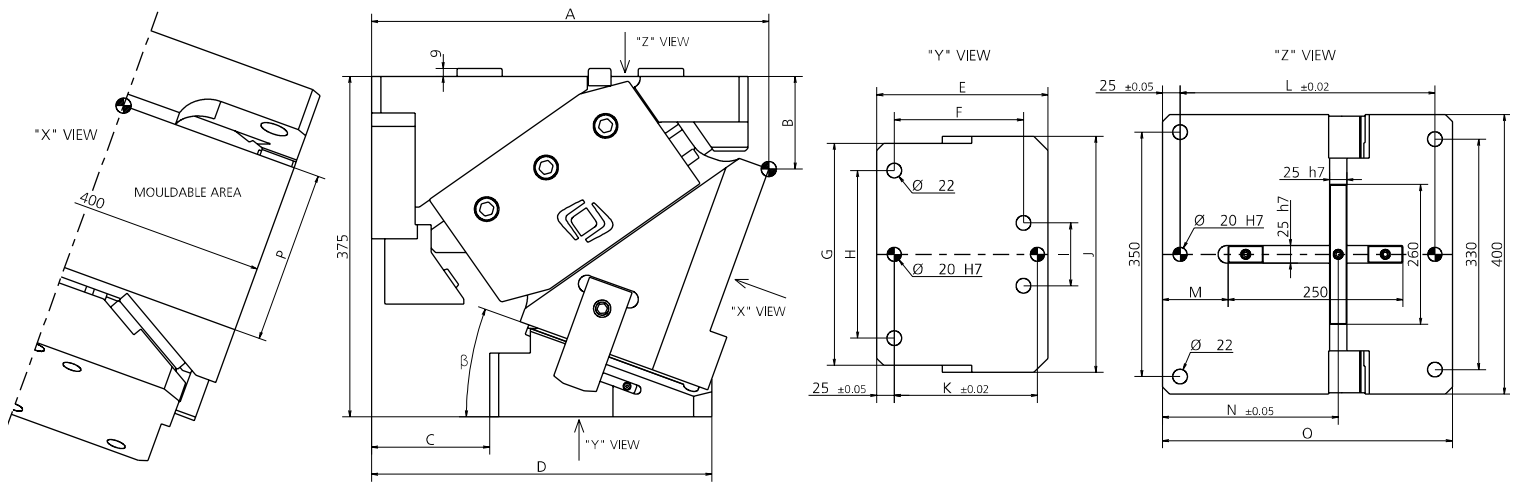


| POS. | DESCRIPTION | Q.TY |
|------|---|------|
| 001 | CUNEO / WEDGE / DRUCKKEIL | 1 |
| 002 | SLITTA / SLIDER / LAGERKEIL | 1 |
| 003 | CORPO CAMMA / CAM BODY / GRUNDGEHÄUSE | 1 |
| 004 | STAFFA DI AGGANCIO / BRACKET ATTACHMENTS / BRACKETBEFESTIGUNG | 2 |
| 005 | PIASTRINA / PLATE / PLATTE | 1 |
| 006 | DISTANZIALE / SPACER / ABSTANDSHALTER | 1 |
| 007 | STAFFA / BRACKET / BRACKET | 1 |
| 008 | STAFFA / BRACKET / BRACKET | 1 |
| 009 | FINECORSA / LIMIT SWITCHES / ENDSCHALTER | 2 |
| 010 | PIASTRA DI SCORRIMENTO / WEAR PLATE / DRUCKPLATTE | 2 |

| POS. | DESCRIPTION | Q.TY |
|------|--|----------|
| 011 | CILINDRO AD AZOTO / NITROGEN CYLINDER / STICKSTOFFZYLINDER | 1 |
| 012 | PUNTALINO / BUMP STOP / STOSSDÄMPFERSPITZE | 2 |
| 013 | SENSORE DI SICUREZZA / SECURITY SENSOR / SENSOR FÜR SICHERHEIT | 1*OPTION |
| 014 | PIASTRA DI SCORRIMENTO / WEAR PLATE / DRUCKPLATTE | 2 |
| 015 | CHIAVETTA / KEY / SCHLÜSSEL | 2 |
| 016 | CHIAVETTA / KEY / SCHLÜSSEL | 2 |
| 017 | PIASTRA DI SCORRIMENTO / WEAR PLATE / DRUCKPLATTE | 4 |
| 018 | FINECORSA / LIMIT SWITCHES / ENDSCHALTER | 1 |
| 019 | PIASTRA DI SCORRIMENTO / WEAR PLATE / DRUCKPLATTE | 2 |
| 020 | CHIAVETTA / KEY / SCHLÜSSEL | 1 |



| β | α | PRESS STROKE | GAS SPRING STROKE | CAM STROKE | EXTRACTION FORCE (daN) | CUTTING FORCE (daN) |
|---------|----------|--------------|-------------------|------------|------------------------|---------------------|
| 0° | 50° | 44.43 | 58 | 37.28 | 6390 | 105500 |
| 5° | 50° | 44.6 | 58 | 41.17 | 6460 | 105500 |
| 10° | 55° | 48.24 | 58 | 41.64 | 6660 | 105400 |
| 15° | 55° | 49.19 | 58 | 46 | 6780 | 105400 |
| 20° | 55° | 50.56 | 58 | 50.56 | 6950 | 105400 |
| 25° | 60° | 55.42 | 58 | 52.42 | 7120 | 105400 |
| 30° | 60° | 58 | 58 | 58 | 7370 | 105400 |
| 35° | 65° | 64.17 | 58 | 61.32 | 7510 | 105400 |
| 40° | 65° | 68.62 | 58 | 68.62 | 7850 | 105400 |
| 45° | 70° | 77.08 | 58 | 74.34 | 7960 | 105400 |
| 50° | 70° | 84.79 | 58 | 84.79 | 8440 | 105300 |
| 55° | 75° | 97.67 | 58 | 95.02 | 8510 | 105300 |
| 60° | 75° | 112.05 | 58 | 112.05 | 9180 | 105300 |
| 65° | 80° | 104.86 | 45 | 102.85 | 9480 | 105300 |
| 70° | 85° | 131.07 | 45 | 127.09 | 9490 | 105300 |
| 75° | 85° | 115.47 | 30 | 114.15 | 9590 | 105200 |



| CODE | β | A | B | C | D | E | F | G | H | I | J | K | L | M | N | O | P |
|--------------|---------|--------|--------|-----|-----|-----|-----|-----|-----|-----|-----|-----|-----|-------|-------|-----|-----|
| 0150.0400-00 | 0° | 403 | 75 | 130 | 410 | 280 | 185 | 318 | 240 | 90 | 338 | 205 | 365 | 72 | 209.5 | 415 | 180 |
| 0150.0400-05 | 5° | 410.89 | 94.3 | 130 | 410 | 280 | 185 | 318 | 240 | 90 | 338 | 205 | 365 | 82.5 | 220 | 415 | 180 |
| 0150.0400-10 | 10° | 418.81 | 99.28 | 130 | 385 | 255 | 185 | 318 | 240 | 90 | 338 | 205 | 365 | 93 | 230.5 | 415 | 180 |
| 0150.0400-15 | 15° | 426.7 | 104.96 | 130 | 385 | 255 | 185 | 318 | 240 | 90 | 338 | 205 | 365 | 103.5 | 241 | 415 | 180 |
| 0150.0400-20 | 20° | 434.51 | 111.32 | 130 | 375 | 245 | 185 | 318 | 240 | 90 | 338 | 205 | 365 | 94 | 251.5 | 415 | 180 |
| 0150.0400-25 | 25° | 417.16 | 118.36 | 80 | 340 | 260 | 145 | 318 | 240 | 90 | 338 | 175 | 365 | 104.5 | 237 | 415 | 180 |
| 0150.0400-30 | 30° | 424.61 | 131.06 | 80 | 330 | 250 | 145 | 318 | 240 | 90 | 338 | 175 | 365 | 95 | 247.5 | 415 | 180 |
| 0150.0400-35 | 35° | 427.78 | 150.13 | 80 | 317 | 237 | 145 | 318 | 240 | 90 | 338 | 175 | 365 | 104 | 256.5 | 415 | 180 |
| 0150.0400-40 | 40° | 438.66 | 158.34 | 80 | 310 | 230 | 145 | 318 | 240 | 90 | 338 | 175 | 365 | 98 | 265.5 | 415 | 180 |
| 0150.0400-45 | 45° | 395.15 | 172.88 | 30 | 255 | 225 | 145 | 318 | 240 | 90 | 338 | 175 | 401 | 62 | 224.5 | 450 | 180 |
| 0150.0400-50 | 50° | 412.72 | 188.31 | 30 | 245 | 215 | 145 | 318 | 240 | 90 | 338 | 175 | 401 | 56 | 233.5 | 450 | 180 |
| 0150.0400-55 | 55° | 423.22 | 212.08 | 30 | 256 | 226 | 145 | 318 | 240 | 90 | 338 | 175 | 401 | 63.4 | 240.9 | 450 | 180 |
| 0150.0400-60 | 60° | 433.59 | 232.11 | 30 | 260 | 230 | 145 | 318 | 240 | 90 | 338 | 175 | 401 | 71 | 248.5 | 450 | 180 |
| 0150.0400-65 | 65° | 434.62 | 242.64 | 0 | 242 | 242 | 140 | 400 | 363 | 363 | 400 | 175 | 401 | 71 | 248.5 | 450 | 180 |
| 0150.0400-70 | 70° | 429.87 | 254.52 | 0 | 226 | 226 | 125 | 400 | 363 | 363 | 400 | 175 | 401 | 71 | 248.5 | 450 | 180 |
| 0150.0400-75 | 75° | 418.49 | 262.53 | 0 | 214 | 214 | 105 | 400 | 363 | 363 | 400 | 160 | 401 | 56 | 233.5 | 450 | 180 |

13 PATENT PENDING

13 (9003) SENSORE / SENSOR / SENSOR



MODELLO D'ORDINE / ORDER EXAMPLE / BESTELLBEISPIEL / MODÈLE DE COMMANDE

MODEL **0150.0400** INCLINATION **-10°** OPTION CODE **9003.0001**